

Actuator LD60

LD60 is a robust linear actuator designed for furniture and medical care application. Both of the gearbox and rear connector are made of aluminum alloy. It can be without inner / outer tubes, and use the bare screw nut as front connector, which allows bigger stroke in confined spaces.



Features

- Main applications: Medical care, furniture
- Input voltage: 24V DC
- Max. load: 6000N (push/pull)
- Typical speed at no load: 8.4 mm/sec
- Typical speed at full load: 4.9 mm/sec
- Stroke: 100 ~ 400 mm
- Aluminum alloy outer tube and gearbox
- Preset cam type limit switches
- Noise level: ≤ 52 dB
- Duty cycle: 10%, max. 2 min. continuous operation.
- Ambient operation temperature: $-10^{\circ}\text{C} \sim +60^{\circ}\text{C}$
- IP Protection level: IPX2
- Certified: CE Marking, EN 60601-1-2, IEC 60601-1-2

Options

- Standard / fast version
- Without extension tube and outer tube (Fig. 1)
- Rear connector turns 90° in pivot orientation
- Black color outer tube and gearbox (Fig. 2)



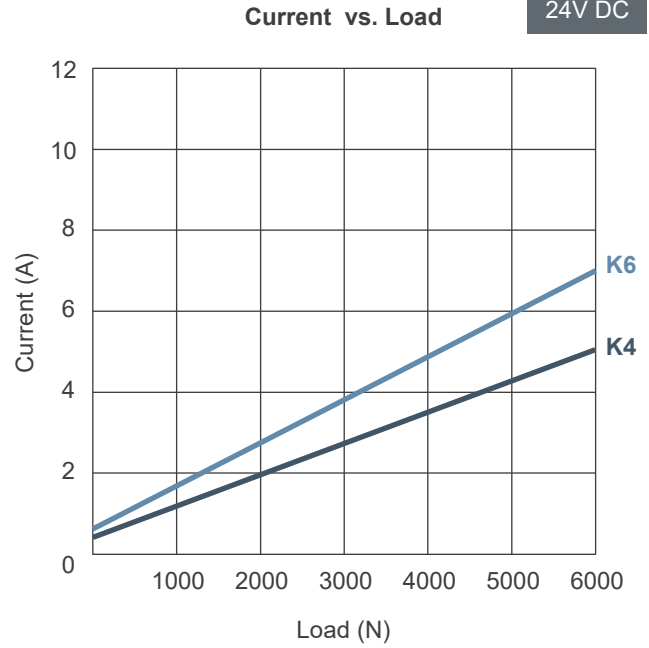
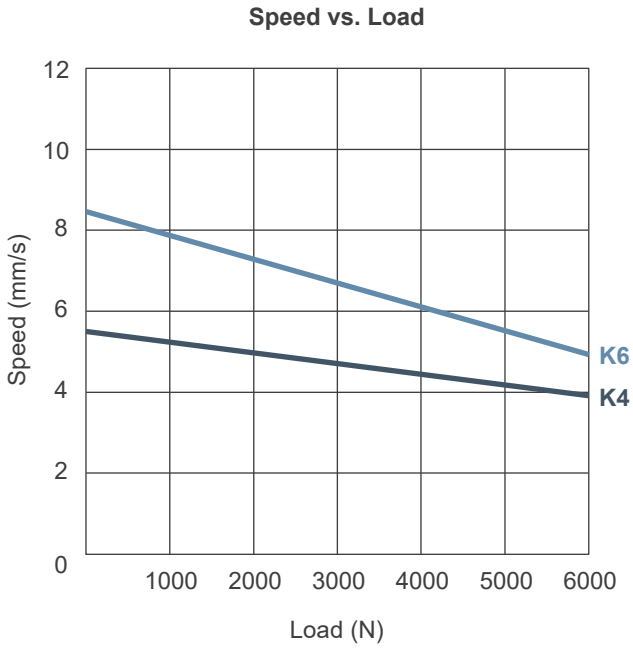
Fig. 1



Fig. 2

Performance Data

Model No.	Push Max. (N)	Pull Max. (N)	*Typical speed (mm/s)		*Typical current(A)	
			No load	Full load	No load	Full load
LD60-24 K4 -XXX.XXX-XX000X	6000	6000	5.5	3.9	0.4	5.1
LD60-24 K6 -XXX.XXX-XX000X	6000	6000	8.4	4.9	0.6	7.0

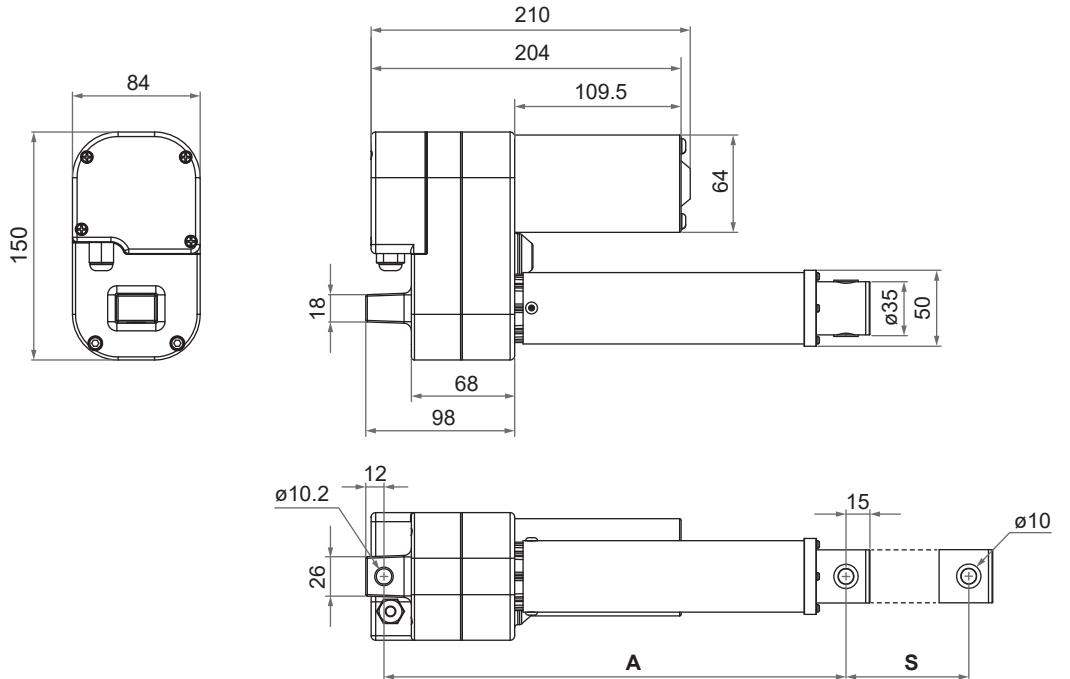


Remarks:

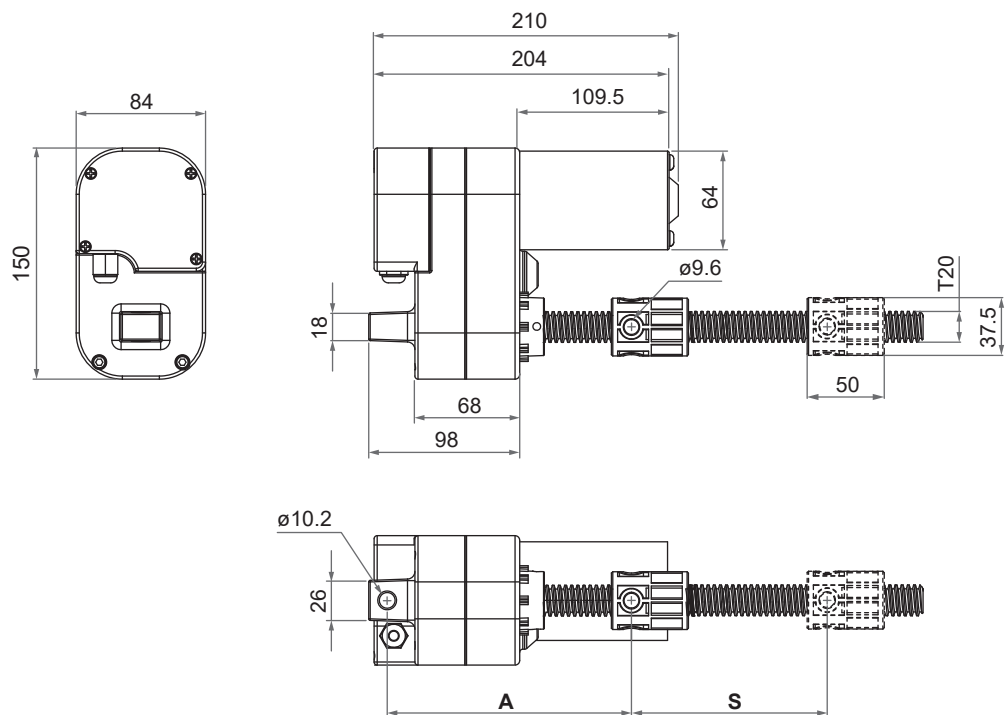
- * The typical speed or typical current means the average value neither upper limit nor lower limit. The performance curves are made with typical values.

Dimensions

- Available stroke (S) range=100 ~ 400 mm
 - Retracted length (A) \geq (S) + 190mm (± 3 mm)
 - Extended length = (S) + (A)
- Standard type



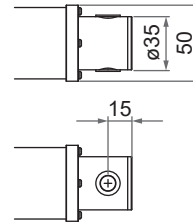
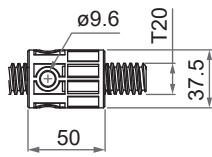
- Without extension tube and outer tube



● **Front Connector**

0: Plastic nut, without extension tube and outer tube

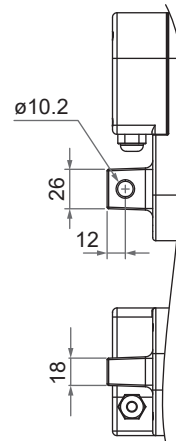
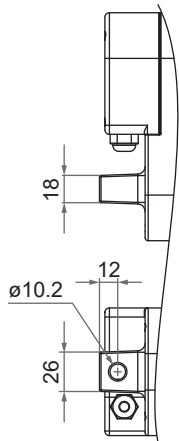
3: Drilled hole on inner tube with plastic bushing



● **Rear connector**

0: Alluminum, 0°

9: Aluminum, turn 90° in pivot orientation

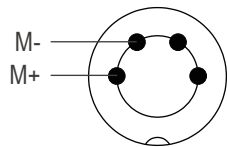


Compatibility

Product	Model	LD60 spec
Control box	MD6C	- Need to be chosen with K4 motor - 4-pin Motek H-type or V-type DIN plug
	CM45	- Max current 5A - 4-pin Moteck H-type DIN plug
	CM41-M, CB5P-M	- Need to be chosen with K4 motor - 6-pin Moteck LR-type minifit plug

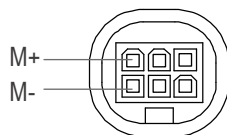
Cable Plug

- Moteck H-type or V-type plug



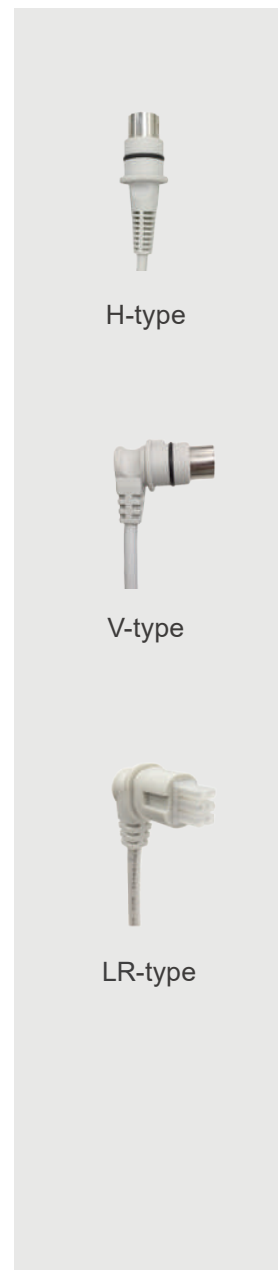
4-pin DIN plug

- Moteck LR-type plug



6-pin minifit plug

Note: Connect (M+) to '+' & (M-) to '-' of DC power, the actuator will extend.



H-type

V-type

LR-type

Ordering Key

LD60 - 24 K6 - 290 - 390 - 3 0 0 0 B 0	
Input voltage	24: 24V DC
Motor and Spindle type	K4: Standard version K6: Fast version (Refer to Performance Data)
Retracted length	XXX (Refer to Dimensions)
Extended length	XXX (Refer to Dimensions)
Front connector	0: Plastic nut, without extension tube and outer tube 3: Drilled hole on inner tube with plastic bushing (aluminum alloy outer tube)
Rear connector	0: Alluminum, standard 9: Alluminum, turn 90° in pivot orientation
Reserved	0: No meaning
Reserved	0: No meaning
Color	0: Aluminum surface B: Black color
Cable length	0: 300 mm straight 1: 1000 mm straight A: 450 mm with 300 mm coiled

Terms of Use

The user is responsible for application suitability of Moteck products. As ongoing improvement process continues, products listed on the Moteck website are subject to change without prior notice. Moteck reserves the right to terminate the sales or remove any product displayed on the website, or listed in its catalogues.