

Actuator

MD80M

MD80M is a powerful actuator up to 8000N thrust, integrated with control unit and power supply in the housing. In addition to its own actuator, MD80M can connect up to additional 2 actuators and become a 3-motor driving system. MD80M is quiet and water-proof which is designed for use in a variety of medical and home care applications such as patient hoist, hospital bed, nursing bed...etc.



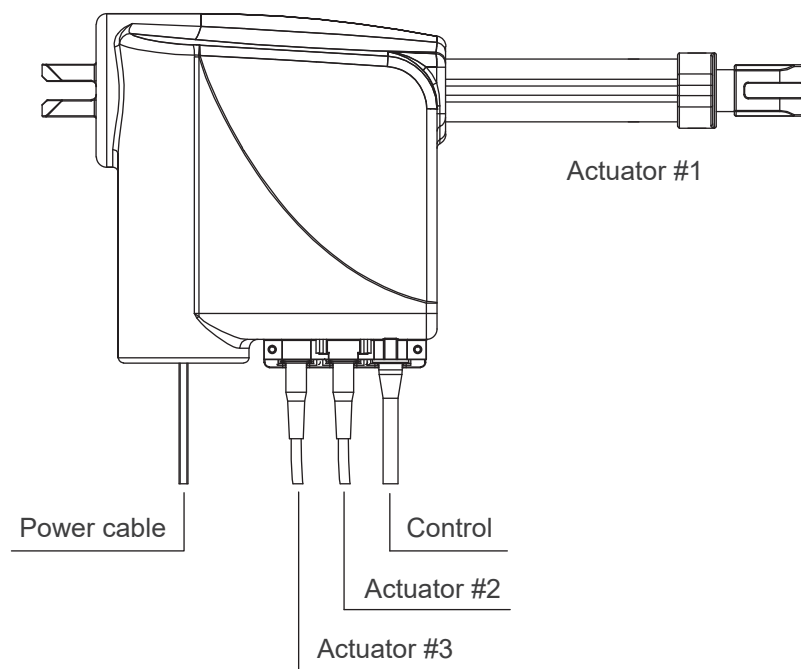
Features

- Main applications: Homecare, medical
- Max. load: 8000N (push) / 6000N (pull)
- Stroke: 50 ~ 400 mm
- Preset limit switches
- Steel extension tube
- Input voltage: 230V AC 50Hz / 110V AC 60Hz
- Power supply: 24V/8A Toroidal transformer
- Output voltage: 24V DC
- Max. number of controls: 1 channel
- Max. number of additional actuators: 2 channels (except for own actuator)
- Max. current: 6A per channel
- Protection class: Class I
- Noise level: ≤ 53 dB
- IP Protection level: IPX4 (static, non-action)
- Color: Light gray RAL 7035
- Duty cycle: 10%, max. 2 min. continuous operation in 20 min.
- Ambient operation temperature: +5°C ~ +40°C
- Certified: CE Marking, EN 60601-1-2, IEC 61000-3-2, IEC 61000-3-3, IEC 61000-4-2, IEC 61000-4-3, IEC 61000-4-4, IEC 61000-4-5, IEC 61000-4-6, IEC 61000-4-8, IEC 61000-4-11

Option

- Mechanical push only extension tube
- Safety nut (in push direction)
- IPX5 protection level (static, non-action)

I/O Introduction



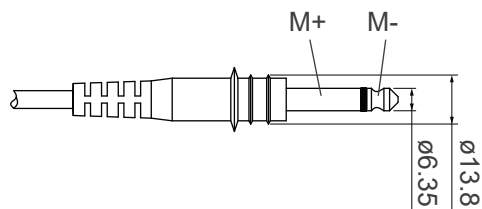
Compatibility

Product	Model	MD80M spec
Actuator	MD80, MD82, MD60, LD60	- Without positioning feedback sensors - With Moteck J1-type Ø6.35 Phone jack
Control	HF, H3F, HT, H3T, FS1, FS2, HS12	- Moteck P1 control category - With Moteck H-type 5-pin or 8-pin DIN plug

Socket

● Actuator socket

- Moteck J1-type



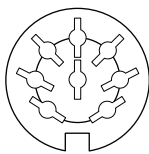
J1-type

Remarks:

Connect (M+) to '+' & (M-) to '-' of DC power, the actuator will extend.

● Control socket

- Moteck H-type DIN plug



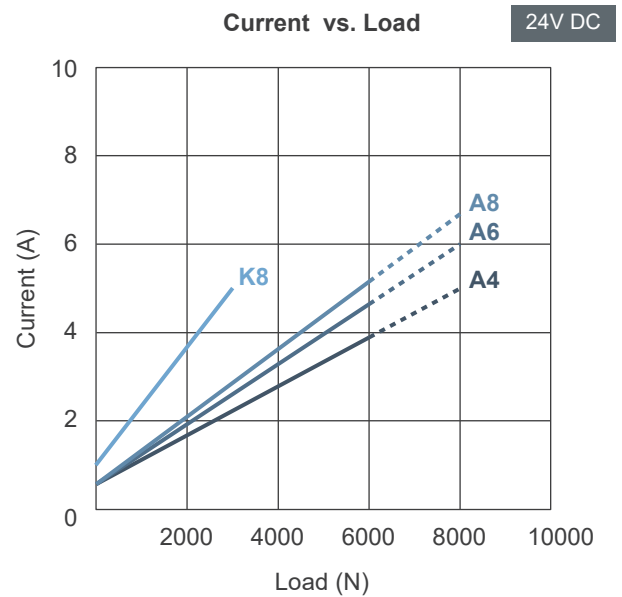
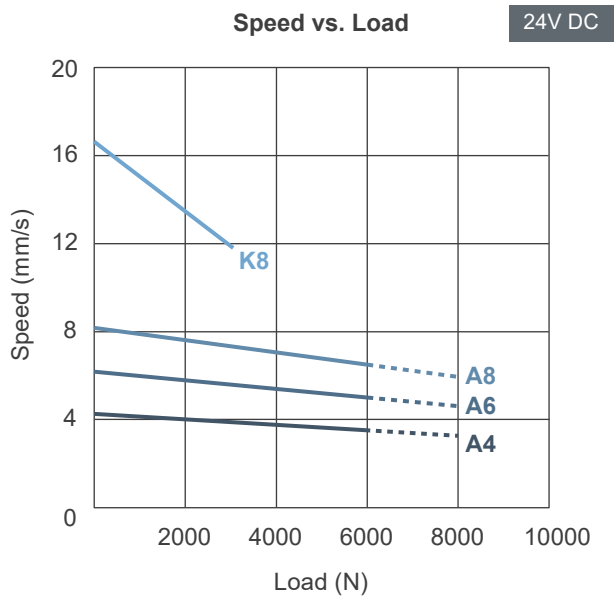
8-pin socket



H-type

Performance Data

Model No.	Push Max. (N)	Pull Max. (N)	Typical speed (mm/s)		Typical current (A)	
			No load	Full load	No load	Full load
MD80M-XXA4-XXX.XXX	8000	6000	4.2	3.3	0.6	5.0
MD80M-XXA6-XXX.XXX	8000	6000	6.2	4.6	0.6	6.0
MD80M-XXA8-XXX.XXX	8000	6000	8.1	5.9	0.6	6.7
MD80M-XXK8-XXX.XXX	3000	3000	16.6	11.8	1.0	5.0



Push / Pull Load — Push Load - - -

Remarks:

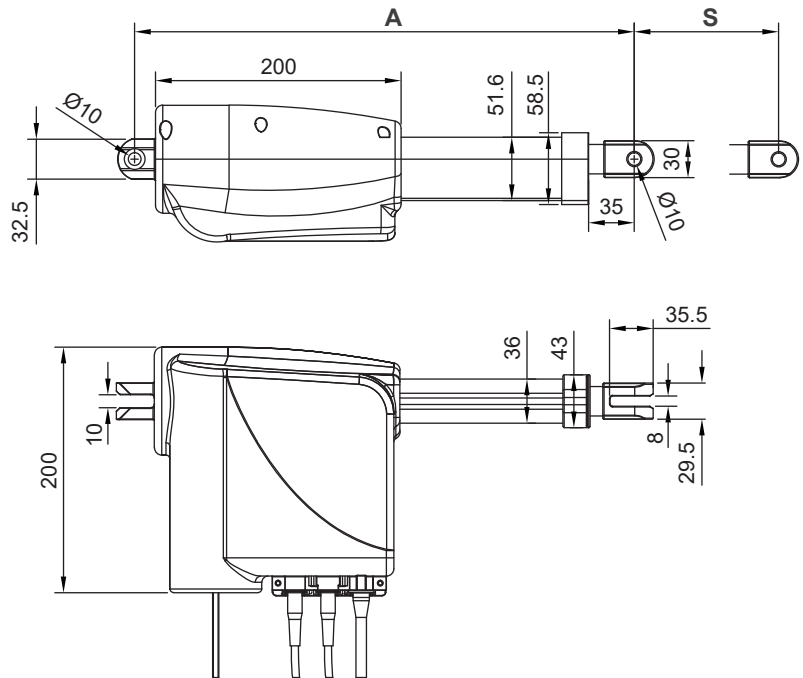
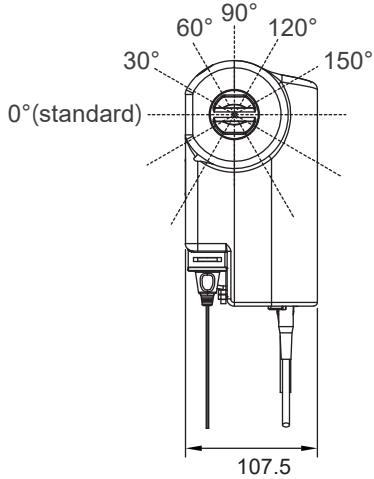
* The typical speed or typical current means the average value neither upper limit nor lower limit. The performance curves are made with typical values.

Dimensions

Stroke(S)	50 ≤ S ≤ 300mm		
Retracted length (A)	Front connector		
	Safety option	7	8
	No safety option	$A \geq S+180\text{mm}$	$A \geq S+210\text{mm}$
	With Safety Nut (SN)	$A \geq S+185\text{mm}$	$A \geq S+215\text{mm}$

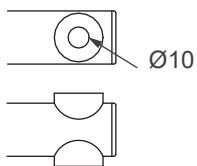
• 301 ≤ S ≤ 400mm, retracted length (A) + 30mm • Tolerance: ±3mm
 • S ≥ 401mm, Please consult MOTECK sales representative for feasibility and the available retracted length.

Pivot orientation of Rear connector

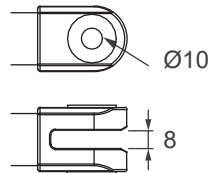


• Front Connector

7: Plastic bushing

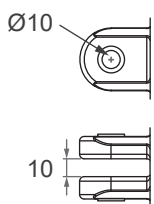


8: Zinc alloy clevis with plastic bushing



• Rear Connector

1: Zinc alloy clevis



Ordering Key

MD80M - 2 2 A6 - 420 . 620 - 8 1 - A 0 G 4 1	
Input voltage	2: 230V AC 1: 120V AC
Additional actuator port	0: None 1: 1 port 2: 2 ports
Motor and Spindle type	A4: 2500 rpm / 4mm pitch A6: 2500 rpm / 6mm pitch A8: 2500 rpm / 8mm pitch K8: 2500 rpm / 8mm pitch (Refer to Performance Data)
Retracted length	XXX (Refer to Dimensions)
Extended length	XXX (Refer to Dimensions)
Front connector type	8: Zinc alloy clevis with plastic bushing (standard) 7: Plastic bushing (Refer to Dimensions)
Pivot orientation of Rear connector	Zinc alloy clevis with following orientation options 1: 0° (standard) 3: 30° 6: 60° 9: 90° C: 120° F: 150°
Option	0: None P: Push only S: Safety nut A: Push only + Safety nut
Reserved	0: No meaning
Color	G: Light gray RAL 7035
IP Protection level (static, non-action)	4: IPX4 5: IPX5
Power cord length	3: 3000mm straight (standard) 4: 4000mm straight

Terms of Use

The user is responsible for the suitability of MOTECK products, and the products listed on the MOTECK website are subject to change without notice. MOTECK reserves the right to terminate sales or delete any products displayed on the website or listed in its catalog.