

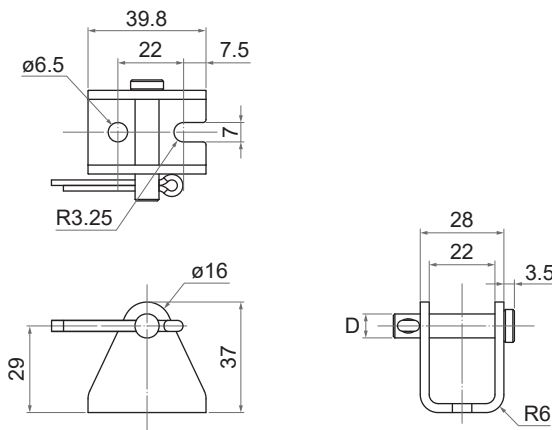
Mounting Bracket

MB22/MB30/C15 bracket is an auxiliary accessory for installing the actuator, which can be applied to the front and rear connectors of various Moteck actuators, making the user's product design simpler and the installation of the actuator more convenient.

MB22 Mounting Bracket

Usage	Specification	Applicable models	Applicable conditions
Connect the front or rear connectors of the actuators.	<ul style="list-style-type: none"> Material: Steel Contains mounting pin and lock pin. 	LD12, LD2, LD20, LD3, LD3L, LD36, MD10, MD21, MK32, MK45	Mounting hole (D): ø6.4mm, ø8mm, ø10mm

Dimension:



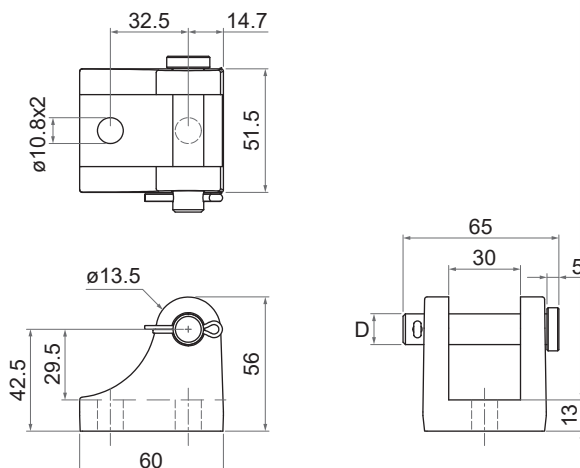
Unit: mm



MB30 Mounting Bracket

Usage	Specification	Applicable models	Applicable conditions
Connect the front or rear connectors of the actuators.	<ul style="list-style-type: none"> Material: Steel Contains mounting pin and lock pin. 	IA5, ID10, ID10BT, ID10P, ID11*, ID12, ID10G, ID10K	Mounting hole (D): ø13mm

Dimension:



Unit: mm

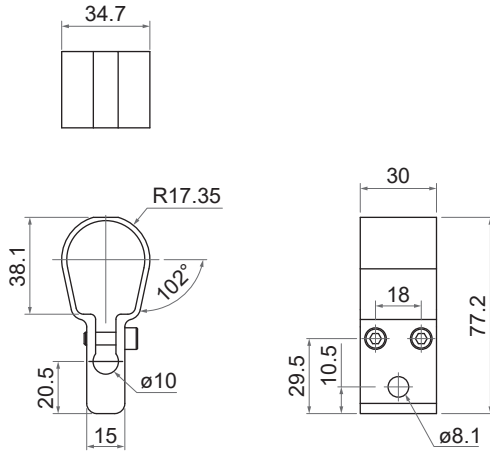


* **Note:** ID11 rear connector only standard 0° pivot can be equipped with MB30 bracket.

C15 Clamp

Usage	Specification	Applicable models	Applicable conditions
As the rear connector of the actuators.	<ul style="list-style-type: none"> Material: Anodizing aluminum Contains fixed screws 	LD2, LD3, LD3L	Comply with the section shape and size of the outer tube.

Dimension:



Unit: mm

Terms of Use

The user is responsible for application suitability of Moteck products. As ongoing improvement process continues, products listed on the Moteck website are subject to change without prior notice. Moteck reserves the right to terminate the sales or remove any product displayed on the website, or listed in its catalogues.